

Samson

2 Litre Pressure Container

- MODEL S810
- VERSATILE
Handles All Types of
Paints
- IMPROVED GUN HANDLING
Gives Operator Complete
Freedom of Movement
- TIME SAVING
Generous Capacity of
Cup Means Less Frequent
Filling
- PORTABLE
Light & Easy to Handle
- EFFICIENT



Gives Advantages of Quality and Speed of Application
Normally Associated with Production Finishing Lines.

Samson
Spray Equipment Pty. Ltd.

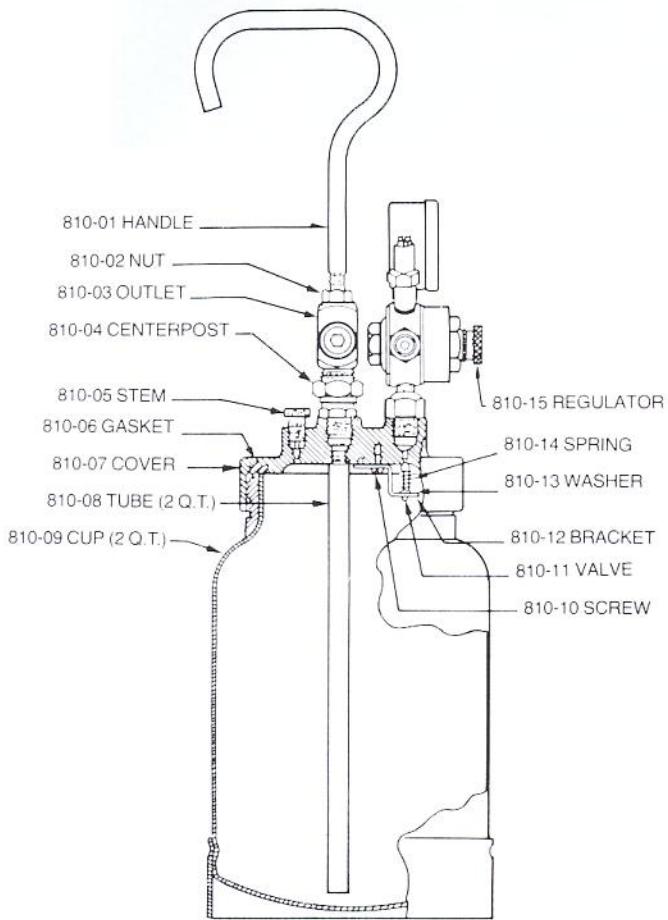
SYDNEY: HEAD OFFICE:
5-7 BY THE SEA ROAD,
MONA VALE, N.S.W. 2103
TEL. (02) 997 5066 FAX (02) 997 8587

SERVICE CENTRE:
UNIT 3/28, VORE STREET,
SILVERWATER, N.S.W. 2141
TEL. (02) 748 6912 FAX (02) 748 6920

MELBOURNE:
17 REDWOOD DRIVE,
NOTTING HILL, VIC. 3168
TEL. (03) 543 4200 FAX (03) 543 4907

BRISBANE:
UNIT 2/27 DARNICK STREET,
UNDERWOOD, QLD. 4119
TEL. (07) 841 2358 FAX (07) 841 2823

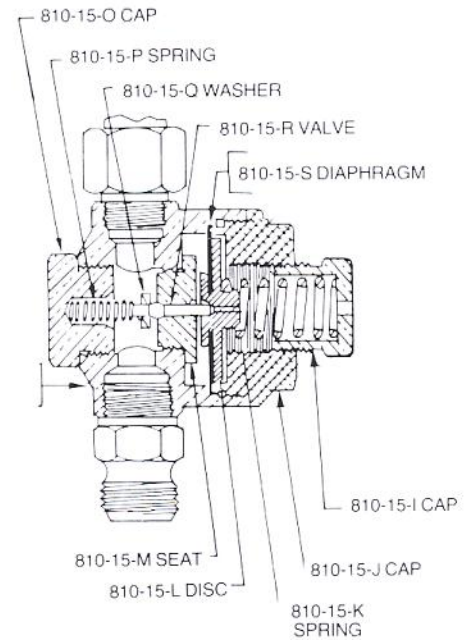
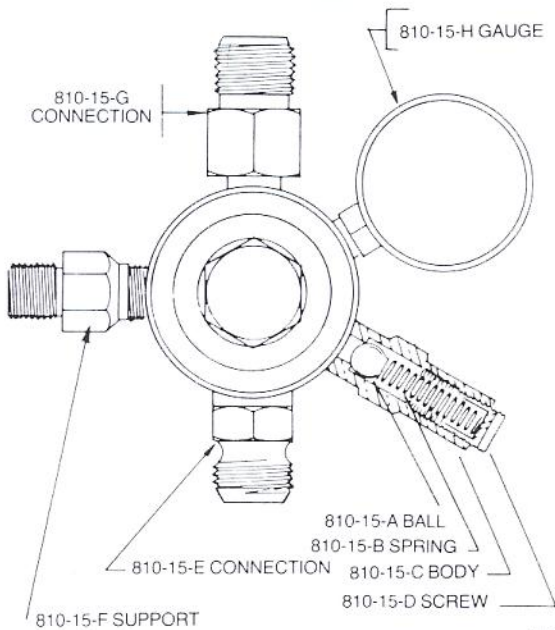
PAINT POT DIAGRAM



PARTS LIST

Part No.	Description	Qty.
810-01	Handle	1
810-02	5/16 Hex Jam Nut	1
810-03	Fluid outlet	1
810-04	Center Post Assembly	1
810-05	Relief Valve Stem	1
810-06	Cover Gasket	1
810-07	Cover	1
810-08	Fluid Tube (2 Qt.)	1
810-09	Cup (1 Qt.)	1
810-10	No. 6-32 x 1/4 Rd. Hd. M. Screw	1
810-11	Check Valve	1
810-12	Check Valve Bracket	1
810-13	Check Valve Washer	1
810-14	Check Valve Spring	1
810-15	Regulator Assembly	1

AIR PRESSURE REGULATOR ASSEMBLY



PARTS LIST

Part No.	Description	Qty.	Part No.	Description	Qty.
810-15-A	1/4 Dia. Brass Ball	1	810-15-J	Front Cap	1
810-15-B	Safety Valve Spring	1	810-15-K	Adjust Spring	1
810-15-C	Safety Valve Body	1	810-15-L	Diaphragm Disc	1
810-15-D	Safety Valve Spring Screw	1	810-15-M	Valve Seat	1
810-15-E	Air Connection, 1/4 N.P.S.	1	810-15-N	Regulator Body	1
810-15-F	Support	1	810-15-O	Rear Cap	1
810-15-G	Air connection, 1/4 N.P.S.	1	810-15-P	Valve Spring	1
810-15-H	Air Gauge (60 P.S.I.)	1	810-15-Q	Valve Washer	1
810-15-I	Adjusting Cap	1	810-15-R	Adjusting Valve	1
			810-15-S	Diaphragm	1